



[www.FGWilson.com](http://www.FGWilson.com)

# CAE Polymer Acoustic Enclosure

## 6.8 – 22 kVA Range



The innovative, compact design of the 6.8 – 22 kVA CAE enclosure range ensures optimum performance in the harshest of environments. The two-component polymer enclosure structure (hood and base), delivers superior durability with optimal access for ease of installation and maintenance servicing.

Extremely durable and robust, the highly corrosion and impact resistant enclosures are designed to withstand rough handling common on many construction sites.

Developed through continuing research and development by our specialist engineers, all FG Wilson enclosures are fully weatherproof and incorporate internally mounted exhaust silencers.

The sound attenuated CAE enclosures reduce sound levels to comply with the stage II levels of the European Community Directive 2000/14/EC, effective from 3 January 2006.

### Durable and Robust Construction

- Constructed from the compound polymer dicyclopentadiene (DCPD)
- Corrosion proof enclosure with unrivalled impact and heat resistance (-40°C to +120°C)
- Corrosion resistant modular air handling units
- Baseframe extends beyond enclosure protecting against handling damage
- Black finish stainless steel locks and hinges
- Zinc plated / stainless steel fasteners

### Security and Safety

- Control panel viewing window in lockable enclosure hood
- Emergency stop push button mounted on enclosure exterior below control panel
- Cooling fan and battery charging alternator fully guarded
- Fuel fill and battery can only be reached via lockable access hood
- Exhaust silencing system totally enclosed for operator safety

### Excellent Service and Maintenance Access

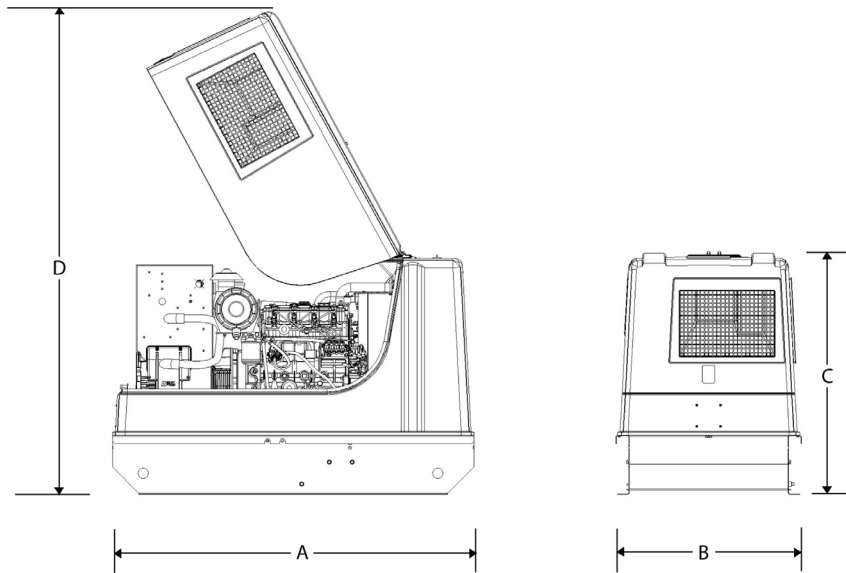
- Lift up enclosure hood providing virtually a 360° view of the generator set
- Gas struts hold the hood of the enclosure in place during inspection or maintenance service
- Radiator fill via removable, flush mounted access cap fitted with compression seal
- Coolant drain piped to baseframe, exterior to the enclosure

### Transportability

- Tested and certified single point lifting facility
- Drag points on baseframe facilitating handling from both sides
- Optional base feet to aid forklift handling

## Sound Pressure Levels (dBA)

Generator Set Model		50 Hz at 1500 RPM							60 Hz at 1800 RPM					
		LWA	15m (50ft)		7m (23ft)		1m (3ft)		15m (50ft)		7m (23ft)		1m (3ft)	
			75% Load	100% Load	75% Load	100% Load	75% Load	100% Load	75% Load	100% Load	75% Load	100% Load	75% Load	100% Load
<b>3 Phase Models</b>														
P9.5-4	Prime	90	57.8	58.0	63.8	64.0	74.9	75.5	57.8	58.2	63.8	64.2	75.9	76.4
	Standby	90	57.9	58.2	63.9	64.2	75.1	75.8	57.9	58.3	63.9	64.4	76.0	76.7
P13.5-6	Prime	88	57.2	58.9	63.2	64.9	74.9	77.0	58.7	60.0	64.7	66.0	75.6	77.2
	Standby	88	57.7	59.8	63.7	65.8	75.5	78.1	59.0	60.5	65.0	66.5	75.9	77.8
P18-6	Prime	91	58.2	58.9	64.2	64.9	73.9	74.5	60.3	61.3	66.3	67.3	77.4	78.6
	Standby	91	58.4	59.3	64.4	65.3	74.0	74.8	60.6	61.9	66.6	67.9	77.7	79.3
P22-6	Prime	91	58.7	59.7	64.7	65.7	74.3	75.2	60.7	62.1	66.7	68.1	77.9	79.6
	Standby	91	58.9	60.2	64.9	66.2	74.5	75.7	61.1	62.9	67.1	68.9	78.3	80.5
<b>Single Phase Models</b>														
P7.5-4S	Prime	90	57.8	58.0	63.8	64.0	74.9	75.5	57.8	58.2	63.8	64.2	75.9	76.4
	Standby	90	57.9	58.2	63.9	64.2	75.1	75.8	57.9	58.4	63.9	64.4	76.0	76.7
P11-6S	Prime	88	57.2	58.9	63.2	64.9	74.9	77.0	58.7	60.0	64.7	66.0	75.6	77.2
	Standby	88	57.7	59.8	63.7	65.8	75.5	78.1	59.0	60.5	65.0	66.5	75.9	77.8
P14-6S	Prime	91	58.2	58.9	64.2	64.9	73.9	74.5	60.3	61.3	66.3	67.3	77.4	78.6
	Standby	91	58.4	59.3	64.4	65.3	74.0	74.8	60.6	61.9	66.6	67.9	77.7	79.3
P16.5-6S	Prime	91	58.7	59.7	64.7	65.7	74.3	75.2	60.7	62.1	66.7	68.1	77.9	79.6
	Standby	91	58.9	60.2	64.9	66.2	74.5	75.7	61.1	62.9	67.1	68.9	78.3	80.5



## Dimensions and Weights

Generator Set Model	A: mm (in)	B: mm (in)	C: mm (in)	D: mm (in)	Weight: kg (lb)	Fuel Tank Fillable Capacity: l (US gal)
<b>3 Phase Models</b>						
P9.5-4	1704 (67.1)	876 (34.5)	1146 (45.1)	2274 (89.5)	445 (981)	51.0 (13.5)
P13.5-6	1704 (67.1)	876 (34.5)	1146 (45.1)	2274 (89.5)	520 (1146)	51.0 (13.5)
P18-6	1704 (67.1)	876 (34.5)	1146 (45.1)	2274 (89.5)	583 (1285)	51.0 (13.5)
P22-6	1704 (67.1)	876 (34.5)	1146 (45.1)	2274 (89.5)	596 (1314)	51.0 (13.5)
<b>Single Phase Models</b>						
P7.5-4S	1704 (67.1)	876 (34.5)	1146 (45.1)	2274 (89.5)	445 (981)	51.0 (13.5)
P11-6S	1704 (67.1)	876 (34.5)	1146 (45.1)	2274 (89.5)	520 (1146)	51.0 (13.5)
P14-6S	1704 (67.1)	876 (34.5)	1146 (45.1)	2274 (89.5)	583 (1285)	51.0 (13.5)
P16.5-6S	1704 (67.1)	876 (34.5)	1146 (45.1)	2274 (89.5)	596 (1314)	51.0 (13.5)

Note: Net Weight with lube oil, no coolant, no fuel;

**FG Wilson manufactures product in the following locations:**

Northern Ireland • Brazil • China • India • USA

With headquarters in Northern Ireland, FG Wilson operates through a Global Dealer Network.

To contact your local Sales Office please visit the FG Wilson website at [www.FGWilson.com](http://www.FGWilson.com).

FG Wilson is a trading name of Caterpillar (NI) Limited.

In line with our policy of continuous product development, we reserve the right to change specification without notice.

6.8-22kVACAEEnclosure/0214/GB